

NAPOLEON DISTRIBUTOR TRAINING 700 SERIES

MAY 10TH, 2021



napoleon.com

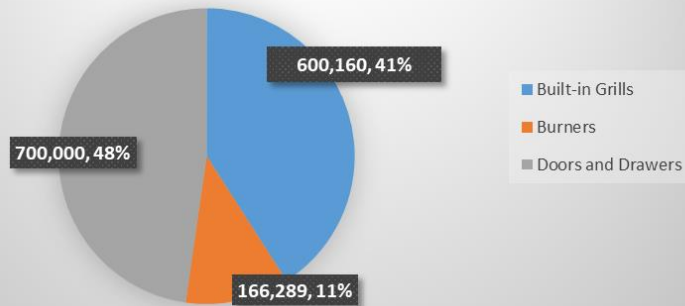
AGENDA

- The “Why” behind the 700 Series
- The Line-up
- 700 Series Features
- Napoleon Built-in Support Center
- 700 Series – Do you know?

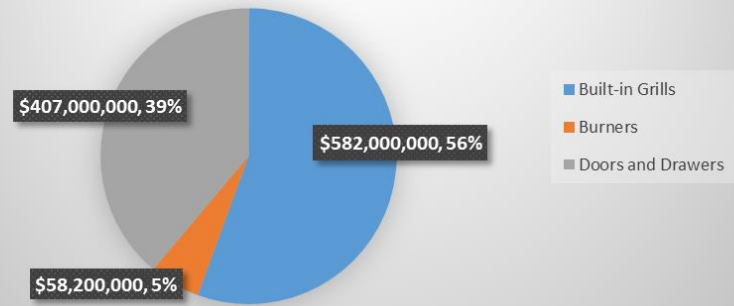


MARKET OVERVIEW: SIZE

Unit Sales by Product Category



Dollar Sales by Product Category



PRESTIGE / PRESTIGE PRO REVIEW



BIPR0825RBI

Opening dimensions:
52" w x 20 5/8" d x 8 7/8" h
(133 cm w x 52 cm d x 23 cm h)



BIPR0665RB

Opening dimensions:
38" w x 20 5/8" d x 8 7/8" h
(97 cm w x 52 cm d x 23 cm h)



BIPR0500RB

Opening dimensions:
30 3/4" w x 20 5/8" d x 8 7/8" h
(78 cm w x 52 cm d x 23 cm h)



BIP500RB

Opening dimensions:
30 3/4" w x 20 5/8" d x 8 7/8" h
(78 cm w x 52 cm d x 23 cm h)

Prestige 

Prestige



napoleon.com

THE “WHY” BEHIND THE 700 SERIES

- True Built-in Design – Built-in trim for better tolerance for cut-outs.
- Designed to fit traditional 30”, 36”, and 42” built-in grill cut-out dimensions.
- “Trimless” Design for Seamless Installation – No gaps so no trim modifications.
- All 304 Marine Grade Stainless Steel
- Convertible Valves



700 SERIES BUILT-IN GRILLS

BUILT-IN 700 SERIES 44"

BIG44RB with dual infrared rear burners
Available in Propane and Natural Gas
BIG44RBPSS | BIG44RBNSS



108,000 BTU's
6 Stainless Steel Main Burners
Dual Infrared Rear Rotisserie Burners
Main Cooking Area: 41.5" x 18"

BUILT-IN 700 SERIES 38"

BIG38RB with rear infrared burner
Available in Propane and Natural Gas
BIG38RBPSS | BIG38RBNSS



78,000 BTU's
5 Stainless Steel Main Burners
Infrared Rear Rotisserie Burner
Main Cooking Area: 35.5" x 18"

BUILT-IN 700 SERIES 32"

BIG32RB with rear infrared burner
Available in Propane and Natural Gas
BIG32RBPSS | BIG32RBNSS



66,000 BTU's
4 Stainless Steel Main Burners
Infrared Rear Rotisserie Burner
Main Cooking Area: 29.5" x 18"



BUILT-IN COMPONENTS: WHAT'S NEW

18" DUAL INFRARED BURNER

BIB18IR

Available in Propane and Natural Gas

BIB18IRPSS | BIB18IRNSS

MSRP



30,000 BTU's
Dual Infrared SIZZLE ZONE™ Burners
Main Cooking Area: 17.5" x 18"
Stainless Steel Protective Cover
9.5mm Stainless Steel Iconic WAVE™
cooking grids

10" SINGLE INFRARED DROP-IN BURNER

BIB10IR

Available in Propane and Natural Gas

BIB10IRPSS | BIB10IRNSS



10,000 BTU's
Single Infrared SIZZLE ZONE™ Burner
Main Cooking Area: 9" x 10.5"
Stainless Steel Protective Cover
7.5mm Stainless Steel Iconic WAVE™
cooking grids

18" DUAL RANGE TOP BURNER

BIB18RT

Available in Propane and Natural Gas

BIB18RTPSS | BIB18RTNSS



30,000 BTU's
Dual Range Burners
Main Cooking Area: 17.5" x 18"
Stainless Steel Protective Cover
9.5mm Stainless Steel Iconic WAVE™
cooking grids

10" SINGLE RANGE TOP DROP-IN BURNER

BIB10RT

Available in Propane and Natural Gas

BIB10RTPSS | BIB10RTNSS



10,000 BTU's
Single Range Burner
Main Cooking Area: 9" x 10.5"
Stainless Steel Protective Cover
7.5mm Stainless Steel Iconic WAVE™
cooking grids



BUILT-IN GRILLS

NAPOLEON EXCLUSIVE FEATURES

ALL NEW
BUILT-IN 700 SERIES



Rear Infrared Rotisserie Burner
Commercial quality rotisserie kit and 4 forks utilizing the rear infrared burner



9.5mm Stainless Steel Iconic WAVE™ Cooking Grids
Contour design and construction ensures consistent cooking



NIGHT LIGHT™ Control Knobs with SafetyGlow
The control knobs with SafetyGlow turn red when a burner is in use



ACCU-PROBE™ Temperature Gauge with Smoke and Sear Range
Accurately measures the temperature of your grill for optimal temperature control



Dual-Level Stainless Steel Sear Plates
The multi-level set up creates even heat distribution and protects the burners



304 Stainless Steel Construction
with brushed stainless steel trim for seamless design



Trim-less Design for Seamless Installation
Built-in trim for better tolerance with cut-outs and no modifications to create a trim-less design



Dual Two Position Warming Racks (Grills) Add more space for warming, toasting, baking with two-positions



napoleon.com

BEST IN CLASS WARRANTY



LIFETIME

Hood

Stainless steel lid

Stainless steel cooking grids

Stainless steel tube burners

Stainless steel sear plates

Stainless steel infrared rotisserie

15 YEARS

All other parts



PROFESSIONAL ASSETS

- Professional Support Centre

- Data Sheets
- Technical Sheets
- Manuals and Assembly Guides
- Inspirational Concept Sheets
- 3D Files

The screenshot shows the Napoleon website's navigation menu with options: FIREPLACES, GRILLS, HEATING/COOLING, BUILT-IN GRILLS SUPPORT, DEALER LOGIN, United States, and English. The main navigation bar includes PRODUCTS, LEARN, SUPPORT, RECIPES, and WHERE TO BUY. A search icon is located on the right. The main content area features a dark overlay with the text: **BUILT-IN GRILLS SUPPORT CENTER**. Below the title is a paragraph: *Napoleon's built-in outdoor kitchen collection is sure to impress and provide versatile options for endless design opportunities. Explore multiple resources for making sure you have the right information you need for your project. Browse our collection and let your imagination soar.* The background image shows a built-in outdoor kitchen with a grill and people.

<https://www.napoleon.com/en/us/grills/support/built-grills-support-center>



napoleon.com

PROFESSIONAL ASSETS: DATA SHEETS

PRODUCT RESOURCES

Full Product Catalog

[VIEW](#)

Product Manuals

[VIEW](#)

Assembly Guide

[VIEW](#)

INSTALLATION RESOURCES

Technical Sheets

[VIEW](#)

Data Sheets

[VIEW](#)

3D Files

[VIEW](#)

DESIGN SUPPORT

Inspirational Island Concepts

[VIEW](#)

Hot Spots Design Guide

[VIEW](#)

Hot Spots Research

[VIEW](#)

OTHER RESOURCES

Dealer Locator

[VIEW](#)

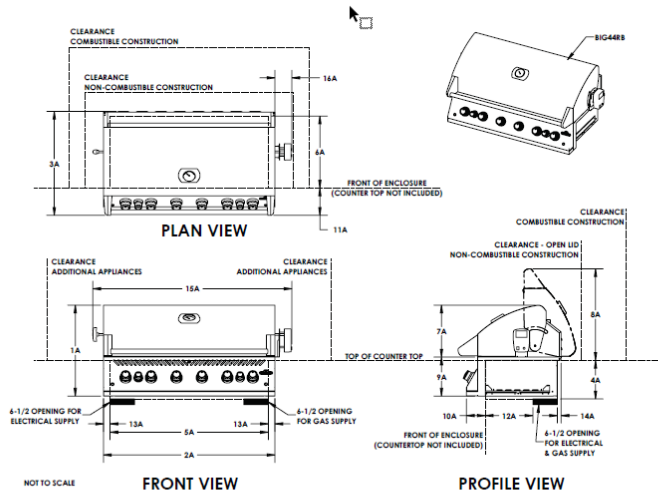


PROFESSIONAL ASSETS: DATA SHEETS



44" BUILT-IN GRILL WITH REAR BURNER

MODEL: BIG44RB



NOTE: * CLEARANCES ARE MEASURED FROM APPLIANCE, NOT ACCESSORIES. REFERENCE OWNER'S MANUAL FOR INSTALLATION INSTRUCTIONS AND DEFINITIONS.

N415-0650 - BIG44RB - BUILT-IN 700 SERIES - DATA SHEET | REVISED: 2020.06.1

DIMENSIONS AND CLEARANCES

Refer to page 2 for unit with zero clearance liner

DIMENSIONS

- 1A Overall height
- 2A Overall width of
- 3A Overall depth of
- 4A Cut-out height for appliance (min)
- 5A Cut-out width for appliance (min-max)
- 6A Cut-out depth for appliance (min-max)
- 7A Height from top of base of appliance
- 8A Height from top of countertop of open appliance
- 9A Height from top of base of bottom of appliance
- 10A Depth of control panel to of enclosure
- 11A Depth from front of appliance front of enclosure
- Distance from front of enclosure to front side of openings for utilities
- 13A Side flange width / distance to supply openings
- 14A Rear flange depth / distance to supply openings
- 15A Overall width of rotisserie kit installed
- 16A Distance from appliance to rotisserie motor

MINIMUM CLEARANCES

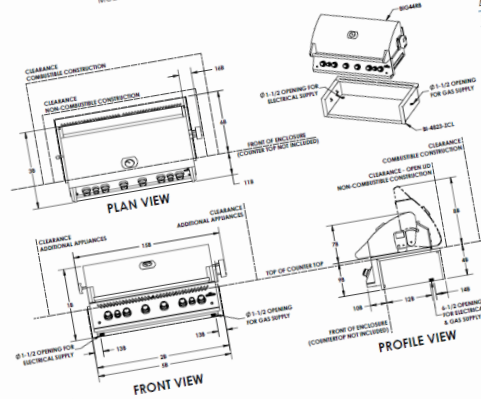
- Clearance to combustible construction – back*
- Clearance to combustible construction – side*
- Clearance to non-combustible construction – back*
- Clearance to non-combustible construction – side*
- Distance between additional appliances*

ENG



44" BUILT-IN GRILL WITH REAR BURNER AND OPTIONAL ZERO CLEARANCE LINER

MODEL: BIG44RB WITH BI-4823-ZCL



NOTE: * CLEARANCES ARE MEASURED FROM APPLIANCE, NOT ACCESSORIES. REFERENCE OWNER'S MANUAL FOR INSTALLATION INSTRUCTIONS AND DEFINITIONS.

N415-0650 - BIG44RB - BUILT-IN 700 SERIES - DATA SHEET | REVISED: 2020.06.1

	IN	MM
Clearance to combustible construction – back*	5	127
Clearance to combustible construction – side*	5	254
Clearance to non-combustible construction – back*	15	381
Clearance to non-combustible construction – side*		
Distance between additional appliances*		

napoleon.com | 01

ENG

DIMENSIONS AND CLEARANCES

Refer to page 1 for unit without zero clearance liner

DIMENSIONS	IN	MM
1B Overall height of appliance with liner	25 7/8	657
2B Overall width of appliance with liner	47 3/4	1213
3B Overall depth of appliance with liner	30 3/16	767
4B Cut-out height for liner	11 1/4	286
5B Cut-out width for liner	48	1219
6B Cut-out depth for liner	22 1/4	565
7B Height from top of base to top of appliance	13 3/4	349
8B Height from top of countertop to top of open appliance	24 5/16	618
9B Height from top of base to bottom of liner	12 1/8	308
10B Depth of control panel to front of enclosure	5 7/8	149
11B Depth from front of appliance to front of enclosure	8 1/8	206
11B Depth from front of appliance to front of enclosure	16 3/8	416
12B Distance from front of enclosure to front side of openings for utilities	2 13/16	71
13B Side distance from cut-out to side of openings for utilities	4 3/16	106
14B Rear distance from cut-out to side of openings for utilities	52 13/16	1341
15B Overall width of appliance with liner and rotisserie kit	3 3/8	86
16B Distance from liner to rotisserie motor		

MINIMUM CLEARANCES	IN	MM
Clearance to combustible construction – back*	17	432
Clearance to combustible construction – side*	9	229
Clearance to non-combustible construction – back*	5	127
Clearance to non-combustible construction – side*	5	127
Distance to additional appliances*	15	381

napoleon.com | 02



napoleon.com

PROFESSIONAL ASSETS: LAUNCH BROCHURE AND INSPIRATIONAL CONCEPT SHEETS

NAPOLEON

OUTDOOR COOKING
YOU CAN ESCAPE TO.

ALL NEW
BUILT-IN 700 SERIES GRILLS AND BURNERS
napoleon.com

NAPOLEON ISLAND CONCEPT INSPIRATION AND PLANNING
FEATURING THE SERIES 700 THE SERIES 800™ GRILLS
MODEL: 800A FILE: 700T & 800S-0001

ISLAND CONCEPT				ISLAND CONCEPT			
	W	D	H		W	D	H
1. ISLAND	80"	42"	36"	1. ISLAND	80"	42"	36"
	2032 mm	1067 mm	914 mm	2. ISLAND	80"	42"	36"
2. ISLAND ID	80"	42"	11.50"	3. ISLAND ID	80"	42"	11.50"
	2032 mm	1067 mm	291.6 mm		2032 mm	1067 mm	291.6 mm
3. ISLAND ID (BURNER)	78"	38"	11.50"	4. ISLAND ID (BURNER)	78"	38"	11.50"
	1981 mm	965 mm	291.6 mm		1981 mm	965 mm	291.6 mm
4. ISLAND ID (GRILL)	61"	30"	11.50"	5. ISLAND ID (GRILL)	61"	30"	11.50"
	1549 mm	762 mm	291.6 mm		1549 mm	762 mm	291.6 mm

© 2014 NAPOLEON GRILLS AND BURNERS • 1000001-0001-01-01

NAPOLEON ISLAND CONCEPT INSPIRATION AND PLANNING
FEATURING THE SERIES 700 THE SERIES 800™ GRILLS
MODEL: 800A FILE: 700T & 800S-0001

ISLAND CONCEPT				ISLAND CONCEPT			
	W	D	H		W	D	H
1. ISLAND	80"	42"	36"	1. ISLAND	80"	42"	36"
	2032 mm	1067 mm	914 mm		2032 mm	1067 mm	914 mm
2. ISLAND ID	80"	42"	11.50"	3. ISLAND ID	80"	42"	11.50"
	2032 mm	1067 mm	291.6 mm		2032 mm	1067 mm	291.6 mm
3. ISLAND ID (BURNER)	78"	38"	11.50"	4. ISLAND ID (BURNER)	78"	38"	11.50"
	1981 mm	965 mm	291.6 mm		1981 mm	965 mm	291.6 mm
4. ISLAND ID (GRILL)	61"	30"	11.50"	5. ISLAND ID (GRILL)	61"	30"	11.50"
	1549 mm	762 mm	291.6 mm		1549 mm	762 mm	291.6 mm

© 2014 NAPOLEON GRILLS AND BURNERS • 1000001-0001-01-01

QUESTION POLL

All Built-in Napoleon Grills come with gas hose and regulator included. True / **False**

The min/max tolerance for cut-out dimension width is 1" True / **False**

Answer: 2" tolerance

What size are our gas line adaptors? A. ¼" B. **½"** C. 3/8" D. 1"

Gas type can only be determine by the Serial Number plate on the grill. True / **False**

Answer: Color coded on manifold under control panel

Side Burners come standard with electrical kit for wiring the unit. True / **False**

Prestige Pro Series built-in grills are compatible for wiring the daisy chain to control the side burner units. True / **False**

Who can convert the gas type on a 700 Series Grill?

A. Grill Service Network Dealer B. License Gas Plumber C. Authorized Napoleon Dealer D. **All of the above**



DID YOU KNOW?

The manifold next to the gas line connection is color coded marked for gas type.

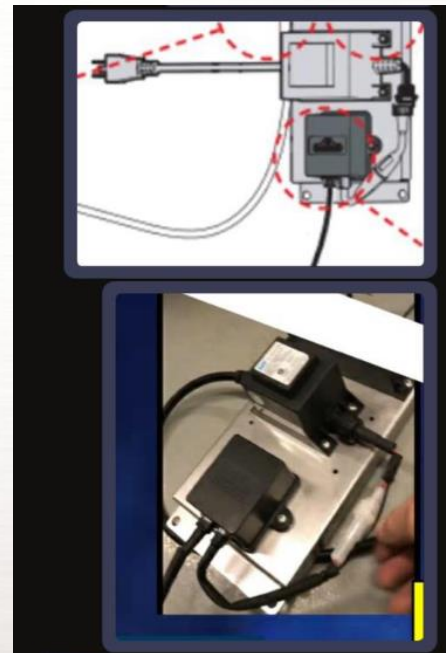
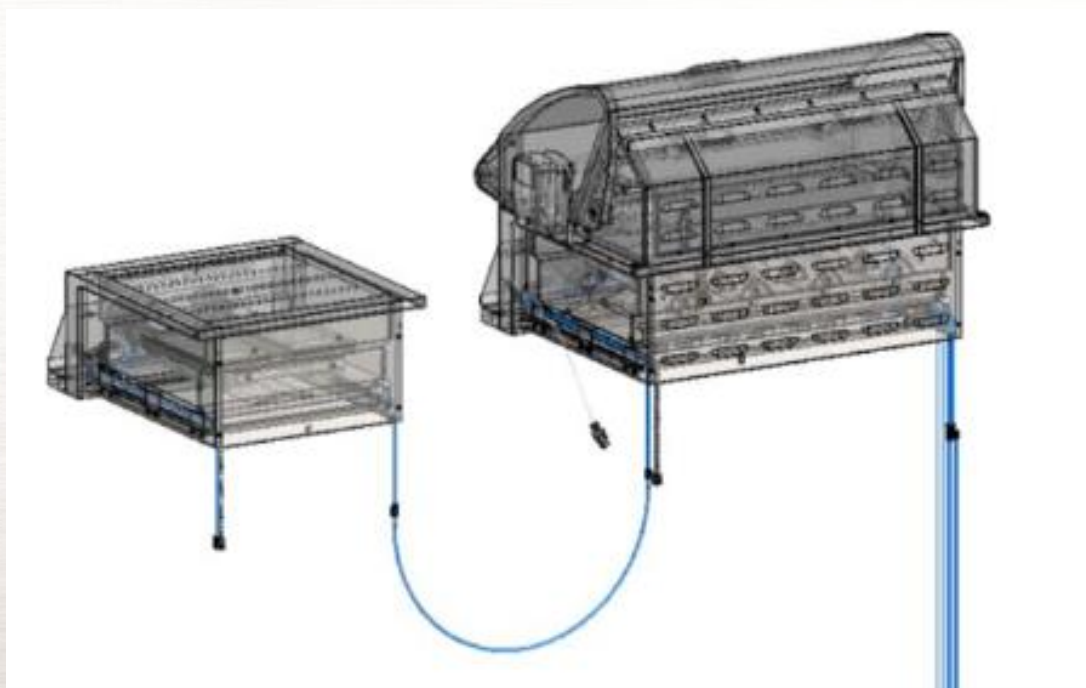
A BLACK mark means LP



A Yellow mark means NG



SIDE BURNER UNITS DO NOT COME WITH POWER SUPPLY.

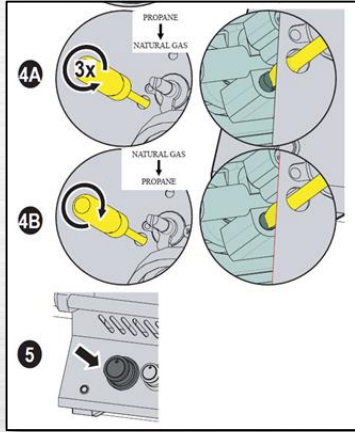


Quantity	Supply Status	Part ID	Service Charge II	Warehouse ID	Misc Ref/Descr	Unit Price
1	No	N370-1091-SER		KYLC	\$ KIT, ELECTRICAL PANEL BIB10/12/18	51.00

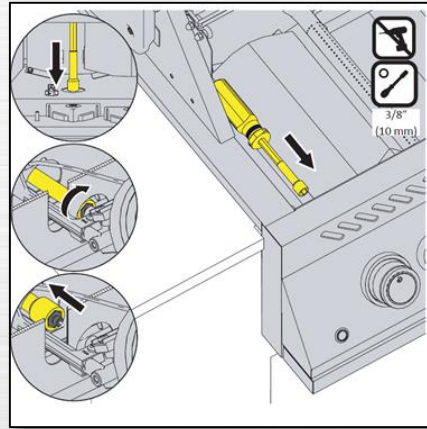


ON-SITE GAS CONVERSION IN 4 STEPS!

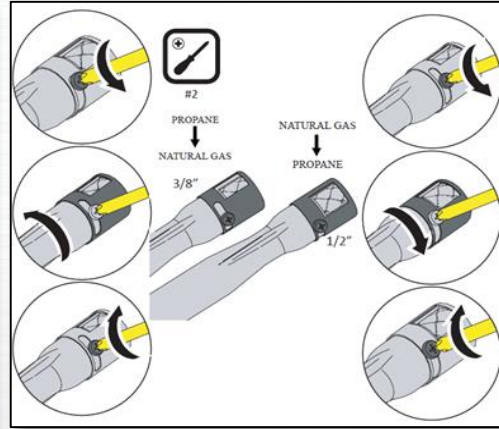
Step 1



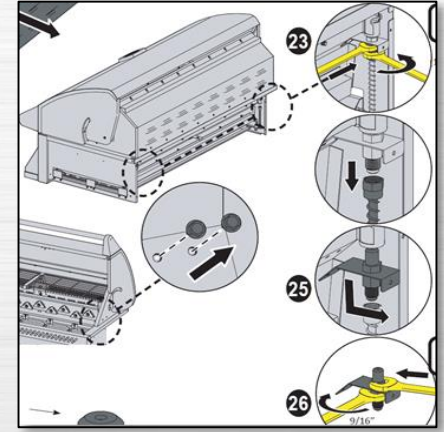
Step 2



Step 3



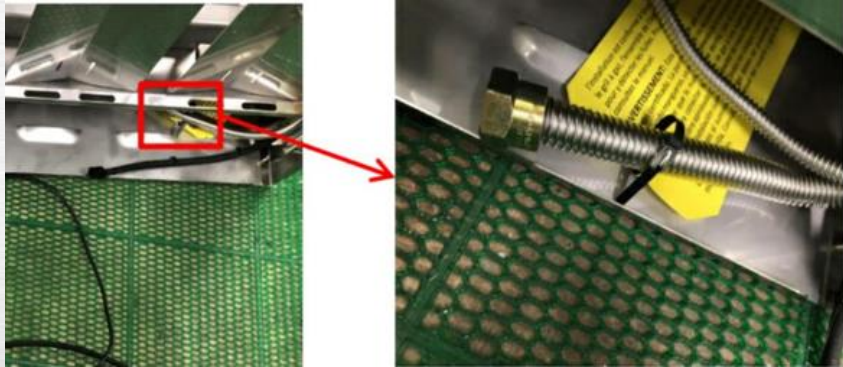
Step 4



Part ID	Service Charge II	Warehouse ID	Misc Ref/Descr
N370-1048		U-NLC	\$ KIT, CONV LPG TO NAT B/BIG32/38/44
N370-1049		U-NLC	\$ KIT, CONV NAT TO LPG B/BIG32/38/44
N370-1050		U-NLC	\$ KIT, CONV LPG TO NAT B/BIB12/18RT
N370-1051		U-NLC	\$ KIT, CONV NAT TO LPG B/BIB12/18RT
N370-1052		U-NLC	\$ KIT, CONVERSION LPG TO NAT BIB18IR
N370-1053		U-NLC	\$ KIT, CONVERSION NAT TO LPG BIB18IR
N370-1054		U-NLC	\$ KIT, CONVERSION LPG TO NAT B/BIB10RT
N370-1055		U-NLC	\$ KIT, CONVERSION NAT TO LPG B/BIB10RT



GAS LINE SUPPLY NOT INCLUDED



The reason being is every built-in kitchen is different and requires a licensed gas plumber to install. The manual requires the LP bottle to be positioned to the side of the grill, not directly below like a cart model where we can include a 18" hose and regulator. Every city has different fire codes also, so it is up to the license installer to determine if a metal flex hose is needed or rubber hose is ok.



ZERO CLEARANCE LINERS

18" LINER

BI-2423-ZCL
DESIGNED FOR:
Built-In 18" Burners
(BIB18IR | BIB18RT)



32" LINER

BI-3623-ZCL
DESIGNED FOR:
Built-In 32" Grill
(BIG32RB)



38" LINER

BI-4223-ZCL
DESIGNED FOR:
Built-In 38" Grill
(BIG38RB)



44" LINER

BI-4823-ZCL
DESIGNED FOR:
Built-In 44" Grill
(BIG44RB)



EXPAND DESIGN HORIZONS WITH ZERO CLEARANCE LINERS

Allowing for more finishing material options on your custom outdoor kitchen. Available in four sizes for the grills and burners (excluding 10" burners).

Each is constructed of 304 marine grade stainless steel and feature integrated balancing brackets to assist in a true and balanced installation.

Stainless steel construction

Integrated hangers for balanced installation

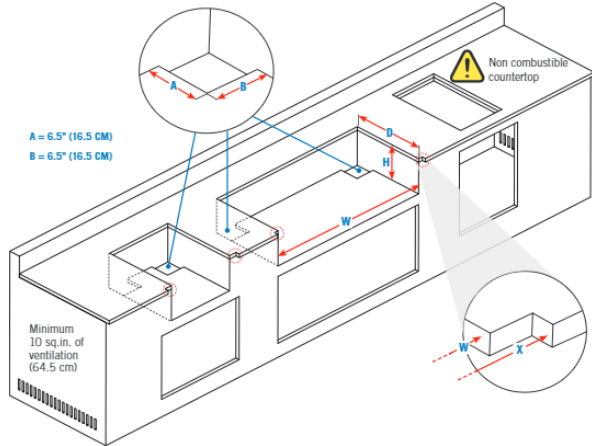
Used for more versatile installation in a wide range of materials and finishes



LINER INSTALL INFORMATION

CUT-OUT DIMENSIONS

MODEL	OPENING DIMENSIONS (INCH / CM)				OPENING DIMENSIONS (INCH / CM) INSTALLING ZERO CLEARANCE LINER				
	W	X	D	H	W	X	D	H	
BIG32 / BIG32	Min.	30 / 76.2	33.50 / 85.1	19.4 / 49.3	10.25 / 26.0	34 / 86.4	35.38 / 89.9	21.38 / 54.3	10.38 / 26.4
	Max.	32 / 81.3	-	19.75 / 50.2	-	-	-	-	-
BIG38	Min.	36 / 91.4	39.50 / 100.3	19.4 / 49.3	10.25 / 26.0	40 / 101.6	41.38 / 106.1	21.38 / 54.3	10.38 / 26.4
	Max.	38 / 96.5	-	19.75 / 50.2	-	-	-	-	-
BIG44	Min.	42 / 106.7	45.50 / 115.6	19.4 / 49.3	10.25 / 26.0	46 / 116.8	47.38 / 120.3	21.38 / 54.3	10.38 / 26.4
	Max.	44 / 111.8	-	19.75 / 50.2	-	-	-	-	-
BIG18	Min.	18 / 45.7	21.50 / 54.6	19.4 / 49.3	10.25 / 26.0	22 / 55.9	23.38 / 59.4	21.38 / 54.3	10.38 / 26.4
	Max.	20 / 50.8	-	19.75 / 50.2	-	-	-	-	-
BIG12 / BIG12	Min.	12 / 30.5	15.50 / 39.4	19.4 / 49.3	10.25 / 26.0	16 / 40.6	17.38 / 44.1	21.38 / 54.3	10.38 / 26.4
	Max.	14 / 35.6	-	19.75 / 50.2	-	-	-	-	-
BIG10 / BIG10	Min.	10 / 25.4	-	18.75 / 47.6	6 / 15.2	-	-	-	-
	Max.	12 / 30.5	-	20.75 / 52.7	-	-	-	-	-



WARNING! The cabinet frame, the cabinet and the counter top **MUST** be made from non-combustible material when the appliance is not installed with the Zero Clearance Liner corresponding to your unit. Refer to the parts list in your Assembly Guide for specific information.

